

FN0-103

Foundry

Foundry Networks Certified Network Professional

OfficialCerts.com is a reputable IT certification examination guide, study guides and audio exam provider. We ensure that you pass your FN0-103 exam in first attempt and also get high scores to acquire Foundry certification.

If you use OfficialCerts FN0-103 Certification questions and answers, you will experience actual FN0-103 exam questions/answers. We know exactly what is needed and have all the exam preparation material required to pass the exam. Our Foundry exam prep covers over 95% of the questions and answers that may be appeared in your FN0-103 exam. Every point from pass4sure FN0-103 PDF, FN0-103 review will help you take Foundry FN0-103 exam much easier and become Foundry certified.

Here's what you can expect from the OfficialCerts Foundry FN0-103 course:

- * Up-to-Date Foundry FN0-103 questions as experienced in the real exam.*
- * 100% correct Foundry FN0-103 answers you simply can't find in other FN0-103 courses.*
- * All of our tests are easy to download. Your file will be saved as a FN0-103 PDF.*
- * Foundry FN0-103 brain dump free content featuring the real FN0-103 test questions.*

Foundry FN0-103 certification exam is of core importance both in your Professional life and Foundry certification path. With Foundry certification you can get a good job easily in the market and get on your path for success. Professionals who passed Foundry FN0-103 exam training are an absolute favorite in the industry. You will pass Foundry FN0-103 certification test and career opportunities will be open for you.

<http://janetdailey.com/?certs=exams.asp?examcode=FN0-103>



QUESTION 1

The declaration of inter-switch ports with the command "admin-pt2pt-mac" is part of the configuration of: (Select all that apply)

- A. Per VLAN Group Spanning tree (PVGST) or Topology Groups
- B. 802.1D
- C. 802.1w
- D. 802.1s

Answer: C, D

QUESTION 2

What are OSPF routers that run multiple protocols and serve as gateway to routers outside an area and those operating with different protocols?

- A. redistribution router
- B. autonomous system boundary router
- C. area border router
- D. autonomous system

Answer: B

QUESTION 3

Which Foundry CLI command is used to summarize routes advertised from an ASBR into an OSPF autonomous system?

- A. summary-routes 10.1.0.0 255.255.0.0
- B. summary-address-info 10.1.0.0 255.255.0.0
- C. summarize-routes 10.1.0.0 255.255.0.0
- D. summary-address 10.1.0.0 255.255.0.0

Answer: D

QUESTION 4

BGP4 contains a peer discovery process.

- A. True
- B. False

Answer: B

QUESTION 5

What do you call a BGP4 Autonomous System that has been subdivided into multiple, stub ASs?

- A. paths
- B. cluster
- C. neighbors
- D. confederation

Answer: D

QUESTION 6

IP address 176.100.34.25 255.255.248.0 is a member of which host range?

- A. 176.100.32.0 -176.100.39.248
- B. 176.100.31.1 - 176.100.39.248
- C. 176.100.32.0 - 176.100.39.254
- D. 176.100.32.1- 176.100.39.254

Answer: D

QUESTION 7

Which Foundry CLI Show command can be used to identify the Interface Type of a particular port?

- A. monitor
- B. interfaces
- C. debug
- D. media

Answer: D

QUESTION 8

What is the default administrative distance for OSPF?

- A. 110
- B. 255
- C. 90
- D. 1

Answer: A

QUESTION 9

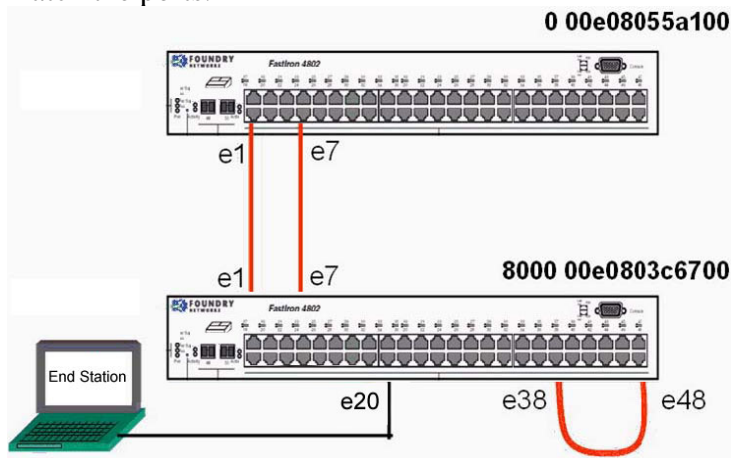
Which 802.1d state will a switches Root Port and Designated Port enter after the 2 nd expiration of the forwarding-delay timer.

- A. Forwarding
- B. Blocking
- C. Learning
- D. Listening

Answer: A

QUESTION 10

Switch Troytec 2 (see diagram) is running 802.1w (RSTP), with default settings. It has a crossover cable between ports e38 and e48. Select the combination of port titles that match the ports.



- A. e38: Backup Port e48: Designated Port
- B. e38: Root Port e48: Alternate Port
- C. e38: Designated Port e48: Designated Port
- D. e38: Alternate Port e48: Root Port
- E. e38: Designated Port e48: Backup Port.

Answer: E

QUESTION 11

Which Foundry CLI command can be used to see the IPX networks your router can forward to?

- A. show ip
- B. show route
- C. show ipx route
- D. show ipx

Answer: C

QUESTION 12

Foundry's implementation of "Fast Port" is critical to the operation of:

- A. PVST
- B. Per VLAN Group Spanning tree (PVGST) or Topology Groups
- C. MSTP
- D. RSTP

OfficialCerts.com Certification Exam Full Version Features;

- Verified answers researched by industry experts.
- Exams **updated** on regular basis.
- Questions, Answers are downloadable in **PDF** format.
- **No authorization** code required to open exam.
- **Portable** anywhere.
- 100% success **Guarantee**.
- **Fast**, helpful support 24x7.

View list of All exams we offer;

<http://www.officialcerts.com/allexams.asp>

To contact our Support;

<http://www.officialcerts.com/support.asp>

View FAQs

<http://www.officialcerts.com/faq.asp>

Download All Exams Samples

<http://www.officialcerts.com/samples.asp>

To purchase Full Version and updated exam;

<http://www.officialcerts.com/allexams.asp>



Shop now using **PayPal**



3COM	CompTIA	Filemaker	IBM	LPI	OMG	Sun
ADOBE	ComputerAssociates	Fortinet	IISFA	McAfee	Oracle	Sybase
APC	CWNP	Foundry	Intel	McData	PMI	Symantec
Apple	DELL	Fujitsu	ISACA	Microsoft	Polycom	TeraData
BEA	ECCouncil	GuidanceSoftware	ISC2	Mile2	RedHat	TIA
BICSI	EMC	HDI	ISEB	NetworkAppliance	Sair	Tibco
CheckPoint	Enterasys	Hitachi	ISM	Network-General	SASInstitute	TruSecure
Cisco	ExamExpress	HP	Juniper	Nokia	SCP	Veritas
Citrix	Exin	Huawei	Legato	Nortel	See-Beyond	Vmware
CIW	ExtremeNetworks	Hyperion	Lotus	Novell	Google	

You have made the
Right Choice

You are becoming member of most comprehensive, accurate, highest quality and lowest cost certification resource in the world.

