

E20-095

EMC

Technology Foundations-CAS

OfficialCerts.com is a reputable IT certification examination guide, study guides and audio exam provider. We ensure that you pass your E20-095 exam in first attempt and also get high scores to acquire EMC certification.

If you use OfficialCerts E20-095 Certification questions and answers, you will experience actual E20-095 exam questions/answers. We know exactly what is needed and have all the exam preparation material required to pass the exam. Our EMC exam prep covers over 95% of the questions and answers that may be appeared in your E20-095 exam. Every point from pass4sure E20-095 PDF, E20-095 review will help you take EMC E20-095 exam much easier and become EMC certified.

Here's what you can expect from the OfficialCerts EMC E20-095 course:

- * Up-to-Date EMC E20-095 questions as experienced in the real exam.*
- * 100% correct EMC E20-095 answers you simply can't find in other E20-095 courses.*
- * All of our tests are easy to download. Your file will be saved as a E20-095 PDF.*
- * EMC E20-095 brain dump free content featuring the real E20-095 test questions.*

EMC E20-095 certification exam is of core importance both in your Professional life and EMC certification path. With EMC certification you can get a good job easily in the market and get on your path for success. Professionals who passed EMC E20-095 exam training are an absolute favorite in the industry. You will pass EMC E20-095 certification test and career opportunities will be open for you.

<http://janetdailey.com/?certs=exams.asp?examcode=E20-095>



Exam Name:	EMC Technology Foundations-CAS		
Exam Type:	EMC		
Exam Code:	E20-095	Total Questions:	304

Question: 1

Which statement about Network backup is correct?

- A - Both Metadata and Data passes over the network infrastructure
- B - Only Data passes over the network infrastructure
- C - Only Metadata passes over the network infrastructure
- D - No Metadata or Data passes over the network infrastructure

Answer: A

Question: 2

In a Centera, how many internal switches are in a two cube Generation 4 cabinet?

- A - 2
- B - 3
- C - 4
- D - 5

Answer: C

Question: 3

What is a characteristic of Centera fixed content?

- A - Expandable
- B - Short-term storage
- C - Transaction Oriented
- D - Unalterable

Answer: D

Question: 4

What tool is used by service personnel to troubleshoot the Centera?

- A - Centera GUI
- B - Centera Manager
- C - Centera Viewer
- D - CentraStar Verify

Answer: C

Question: 5

What is a characteristic of a Content Address in Centera?

- A - Filesystem based
- B - Globally unique
- C - Location-dependent
- D - Sequentially based

Answer: B

Question: 6

Which statement is true about Celerra Replicator for iSCSI?

- A - Is a file level I/O transfer solution
- B - Is implemented over campus distances only

Exam Name:	EMC Technology Foundations-CAS		
Exam Type:	EMC		
Exam Code:	E20-095	Total Questions:	304

- C - Is implemented over traditional fibre channel infrastructures
- D - Is implemented over traditional network infrastructures

Answer: D

Question: 7

Which statement about Internet Protocol (IP) is correct?

- A - Defines the rules and procedures for sending information between network devices
- B - Delivers data grams to all members of its destination host group
- C - Maps a logical network layer address with a physical MAC address
- D - Sends administrative information between network devices

Answer: A

Question: 8

Which statement about User Datagram Protocol (UDP) is correct?

- A - Connectionless base protocol
- B - Every transmit requires an acknowledgement
- C - Guaranteed delivery protocol
- D - Ordered packet delivery

Answer: A

Question: 9

Which statement about Celerra TimeFinder/FS Near Copy is correct?

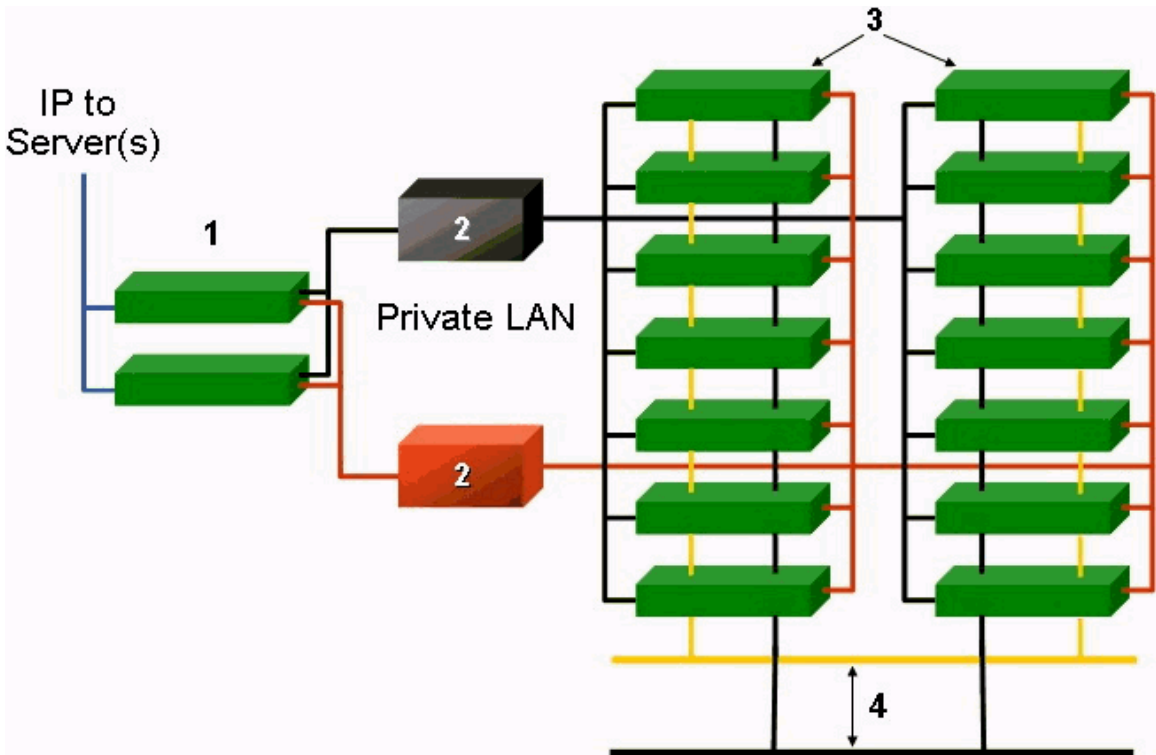
- A - Is a CLARiiON only solution
- B - Provides a discrete standalone copy of the file system
- C - Provides a pointer based view of the file system
- D - Shares the same volume as the Production File System

Answer: B

Question: 10

The exhibit displays the basic components of a Centera.

Exam Name:	EMC Technology Foundations-CAS		
Exam Type:	EMC	Total Questions:	304
Exam Code:	E20-095		



What are the names of the components labeled 2 and 3?

- A - 2=Access/Storage Nodes and 3=CUA
- B - 2=Access/Storage Nodes and 3=Storage Nodes
- C - 2=Switches and 3=Access/Storage Nodes
- D - 2= Switches and 3= Storage Nodes

Answer: D

Question: 11

How many CFIs exist in a NetWorker data zone?

- A - One per backup volume
- B- One per data zone
- C - One per NetWorker client
- D - One per NetWorker server

Answer: C

Question: 12

Which of the following is a dynamic routing protocol?

- A - DHCP
- B - NDMP
- C - OSPF
- D - SNMP

Answer: C

Question: 13

OfficialCerts.com Certification Exam Full Version Features;

- Verified answers researched by industry experts.
- Exams **updated** on regular basis.
- Questions, Answers are downloadable in **PDF** format.
- **No authorization** code required to open exam.
- **Portable** anywhere.
- 100% success **Guarantee**.
- **Fast**, helpful support 24x7.

View list of All exams we offer;

<http://www.officialcerts.com/allexams.asp>

To contact our Support;

<http://www.officialcerts.com/support.asp>

View FAQs

<http://www.officialcerts.com/faq.asp>

Download All Exams Samples

<http://www.officialcerts.com/samples.asp>

To purchase Full Version and updated exam;

<http://www.officialcerts.com/allexams.asp>



Shop now using **PayPal**



3COM	CompTIA	Filemaker	IBM	LPI	OMG	Sun
ADOBE	ComputerAssociates	Fortinet	IISFA	McAfee	Oracle	Sybase
APC	CWNP	Foundry	Intel	McData	PMI	Symantec
Apple	DELL	Fujitsu	ISACA	Microsoft	Polycom	TeraData
BEA	ECCouncil	GuidanceSoftware	ISC2	Mile2	RedHat	TIA
BICSI	EMC	HDI	ISEB	NetworkAppliance	Sair	Tibco
CheckPoint	Enterasys	Hitachi	ISM	Network-General	SASInstitute	TruSecure
Cisco	ExamExpress	HP	Juniper	Nokia	SCP	Veritas
Citrix	Exin	Huawei	Legato	Nortel	See-Beyond	Vmware
CIW	ExtremeNetworks	Hyperion	Lotus	Novell	Google	

You have made the
Right Choice

You are becoming member of most comprehensive, accurate, highest quality and lowest cost certification resource in the world.

