

920-552

Nortel

GSM BSS Operations and Maintenance

OfficialCerts.com is a reputable IT certification examination guide, study guides and audio exam provider. We ensure that you pass your 920-552 exam in first attempt and also get high scores to acquire Nortel certification.

If you use OfficialCerts 920-552 Certification questions and answers, you will experience actual 920-552 exam questions/answers. We know exactly what is needed and have all the exam preparation material required to pass the exam. Our Nortel exam prep covers over 95% of the questions and answers that may be appeared in your 920-552 exam. Every point from pass4sure 920-552 PDF, 920-552 review will help you take Nortel 920-552 exam much easier and become Nortel certified.

Here's what you can expect from the OfficialCerts Nortel 920-552 course:

- * Up-to-Date Nortel 920-552 questions as experienced in the real exam.*
- * 100% correct Nortel 920-552 answers you simply can't find in other 920-552 courses.*
- * All of our tests are easy to download. Your file will be saved as a 920-552 PDF.*
- * Nortel 920-552 brain dump free content featuring the real 920-552 test questions.*

Nortel 920-552 certification exam is of core importance both in your Professional life and Nortel certification path. With Nortel certification you can get a good job easily in the market and get on your path for success. Professionals who passed Nortel 920-552 exam training are an absolute favorite in the industry. You will pass Nortel 920-552 certification test and career opportunities will be open for you.

<http://janetdailey.com/?certs=exams.asp?examcode=920-552>



Question: 1

Refer to the exhibit that appears below.
What is the meaning of the icon in the exhibit?



- A. An antistatic bracelet (ESDS) must be worn.
- B. Gloves are recommended (high temperature).
- C. A power supply should never be replaced when it is energized (electric shock).
- D. Personnel must be authorized to work, according to the local safety standards.

Answer: A

Question: 2

In which NTP volume can you find the information about the replacement of a specific module in a GSM Base Transceiver Station (BTS) 18020?

- A. 411-9001-161 BTS 18000 Fault Clearing
- B. 411-9001-160 BTS 18000 Fundamentals
- C. 411-9001-162 BTS 18000 Troubleshooting
- D. 411-9001-051 TML (BTS) Commissioning and Fault management

Answer: C

Question: 3

Which function is NOT a function of the Base Transceiver Station (BTS) site manager?

- A. GSM Time management
- B. TX and RX management
- C. Abis interface management
- D. LAPD signaling concentration / deconcentration

Answer: B

Question: 4

What is the maximum power generated by a RM 1900?

- A. GSM 30 W - EDGE 30 W
- B. GSM 40 W - EDGE 30 W
- C. GSM 40 W - EDGE 40 W
- D. GSM 60 W - EDGE 45 W

Answer: A

Question: 5

What is the maximum number of TRXs in a three-cabinet GSM Base Transceiver Station (BTS) 18020 using MPRM modules?

- A. 6
- B. 9

- C. 18
- D. 54

Answer: D

Question: 6

What is the maximum configuration of the GSM Base Transceiver Station (BTS) 18000 using HPRM modules in V16.0?

- A. 3S6.6.6
- B. 3S16.16.16
- C. 3S18.18.18
- D. 3S12.12.12

Answer: D

Question: 7

What is the meaning of the S111 working mode in a RM module?

- A. Three TRXs of the RM belong to the same sector
- B. Three TRXs of the RM belong to three different sectors
- C. Three TRXs of the RM belong to the same frequency band
- D. Three TRXs of the RM belong to three different frequency bands

Answer: B

Question: 8

How many reception paths are needed in a Radio Module (RM) configured in O3 mode?

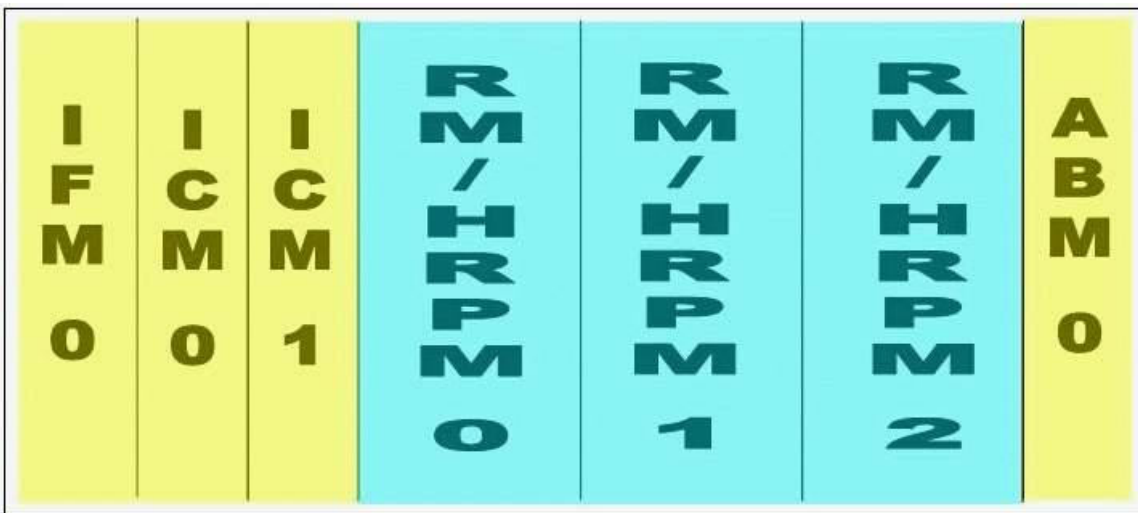
- A. It depends on the cabling of the DDM
- B. It depends on the configuration of the sector
- C. One main and one diversity path for all TRXs
- D. One main and one diversity path for each TRXs

Answer: C

Question: 9

Refer to the exhibit that appears below.

In which configuration of a GSM Base Transceiver Station (BTS) 18000 can two ICM boards reside in a single shelf?



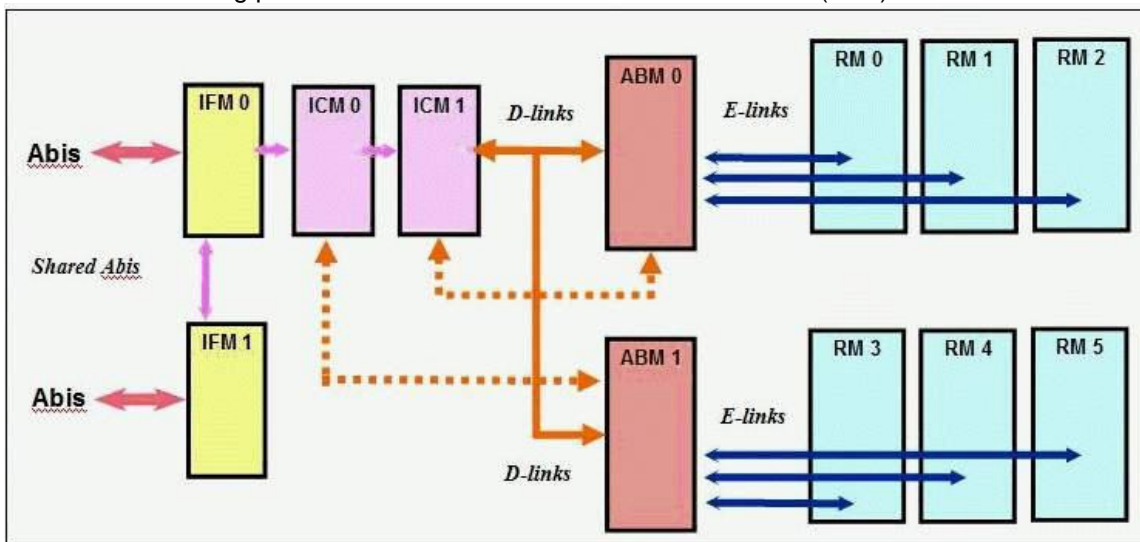
- A. A GSM BTS 18000 with IBP panel
- B. A GSM BTS 18000 with DBP panel
- C. A GSM BTS 18000 with CIBP panel
- D. A GSM BTS 18000 with CDBP panel

Answer: C

Question: 10

Refer to the exhibit that appears below.

What are the cabling problems in the GSM Base Transceiver Station (BTS) 18000?



- A. The IFM1 should be directly connected to ICM0.
- B. The Abis should be directly connected to the ICM.
- C. The E-link should be between the ICM and the ABM.
- D. The ICM0 and ICM1 should be connected to ABM0 and ABM1 respectively.

Answer: D

Question: 11

OfficialCerts.com Certification Exam Full Version Features;

- Verified answers researched by industry experts.
- Exams **updated** on regular basis.
- Questions, Answers are downloadable in **PDF** format.
- **No authorization** code required to open exam.
- **Portable** anywhere.
- 100% success **Guarantee**.
- **Fast**, helpful support 24x7.

View list of All exams we offer;

<http://www.officialcerts.com/allexams.asp>

To contact our Support;

<http://www.officialcerts.com/support.asp>

View FAQs

<http://www.officialcerts.com/faq.asp>

Download All Exams Samples

<http://www.officialcerts.com/samples.asp>

To purchase Full Version and updated exam;

<http://www.officialcerts.com/allexams.asp>



Shop now using **PayPal**



3COM	CompTIA	Filemaker	IBM	LPI	OMG	Sun
ADOBE	ComputerAssociates	Fortinet	IISFA	McAfee	Oracle	Sybase
APC	CWNP	Foundry	Intel	McData	PMI	Symantec
Apple	DELL	Fujitsu	ISACA	Microsoft	Polycom	TeraData
BEA	ECCouncil	GuidanceSoftware	ISC2	Mile2	RedHat	TIA
BICSI	EMC	HDI	ISEB	NetworkAppliance	Sair	Tibco
CheckPoint	Enterasys	Hitachi	ISM	Network-General	SASInstitute	TruSecure
Cisco	ExamExpress	HP	Juniper	Nokia	SCP	Veritas
Citrix	Exin	Huawei	Legato	Nortel	See-Beyond	Vmware
CIW	ExtremeNetworks	Hyperion	Lotus	Novell	Google	

You have made the
Right Choice

You are becoming member of most comprehensive, accurate, highest quality and lowest cost certification resource in the world.

