

050-684

Novell

Novell eDirectory Tools and Diagnostics

OfficialCerts.com is a reputable IT certification examination guide, study guides and audio exam provider. We ensure that you pass your 050-684 exam in first attempt and also get high scores to acquire Novell certification.

If you use OfficialCerts 050-684 Certification questions and answers, you will experience actual 050-684 exam questions/answers. We know exactly what is needed and have all the exam preparation material required to pass the exam. Our Novell exam prep covers over 95% of the questions and answers that may be appeared in your 050-684 exam. Every point from pass4sure 050-684 PDF, 050-684 review will help you take Novell 050-684 exam much easier and become Novell certified.

Here's what you can expect from the OfficialCerts Novell 050-684 course:

- * Up-to-Date Novell 050-684 questions as experienced in the real exam.*
- * 100% correct Novell 050-684 answers you simply can't find in other 050-684 courses.*
- * All of our tests are easy to download. Your file will be saved as a 050-684 PDF.*
- * Novell 050-684 brain dump free content featuring the real 050-684 test questions.*

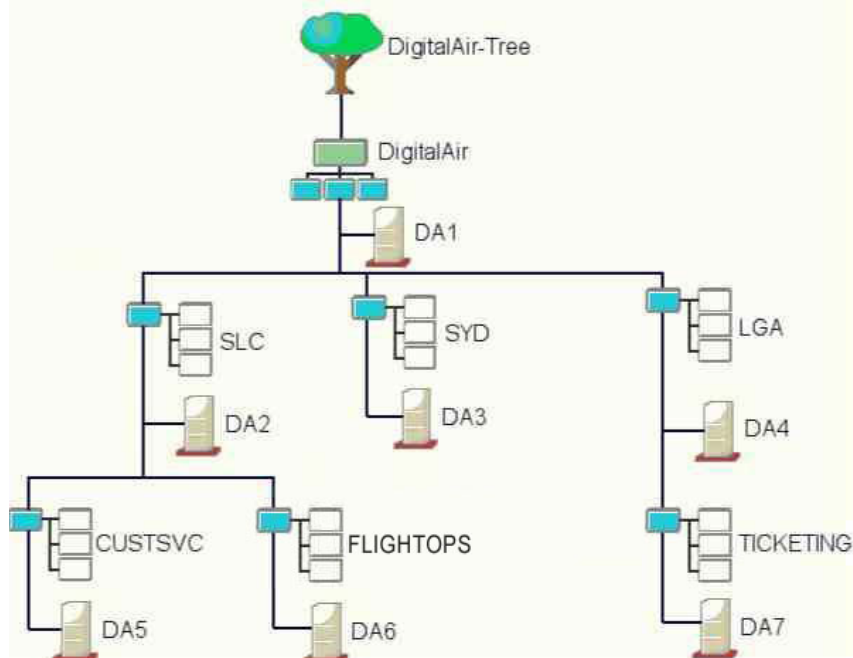
Novell 050-684 certification exam is of core importance both in your Professional life and Novell certification path. With Novell certification you can get a good job easily in the market and get on your path for success. Professionals who passed Novell 050-684 exam training are an absolute favorite in the industry. You will pass Novell 050-684 certification test and career opportunities will be open for you.

<http://janetdailey.com/?certs=exams.asp?examcode=050-684>



QUESTION 1:

You are the eDirectory administrator for the DigitalAir-Tree tree. You would like to move some containers in your tree to align the tree structure more closely to the physical structure of your organization. Given the information in the exhibits, without manually changing any partition boundaries or replica placement, which containers can be moved?



- A. Only the TICKETING container
- B. The SLC, SYD and LGA containers
- C. The SYD, LGA and CUSTSVC containers
- D. All containers except DigitalAir-Tree and DigitalAir
- E. The CUSTSVC, FLIGHTOPS, SYD and TICKETING containers.

Answer: A

QUESTION 2:

You are the system administrator for the SLC DigitalAir container. You are creating some new user objects in this container. Which statements are true regarding the eDirectory rights for these new users? (Choose two.)

- A. The rights for the SLC.DigitalAir container has to itself will affect the new users.
- B. The default rights granted to the new users depends on the tool used to create them.
- C. The new users will not have any eDirectory rights unless they are manually assigned.
- D. The new users will not have any eDirectory rights unless they are created with a template.
- E. The schema information for the user class will grant the new users some default eDirectory rights.

F. The new users will not have any eDirectory rights unless they are created with a template or have rights manually assigned.

Answer: B, F

QUESTION 3:

When upgrading your first server to eDirectory 8.7, you may need to update the eDirectory schema. On which server should the schema be updated?

- A. The server you are upgrading to eDirectory 8.7.
- B. The server that has a replica of the [Root] partition.
- C. Any server that holds a replica of any partition of the tree.
- D. A server that holds the master replica of any partition of the tree.

Answer: B

QUESTION 4:

Which are default settings for an eDirectory 8.7 tree structure? (Choose 3.)

- A. A Single Organization Unit object is created.
- B. Three Organizational Unit objects are created.
- C. eDirectory keeps the tree as one single partition.
- D. The database is replicated to the first three servers running eDirectory.
- E. The Admin, Server and Volume objects are created as children of [Root].

Answer: A, C, D

QUESTION 5:

You are using the eMBox client to log into a server. The information required for login is as follows:

- server's IP address is 10.0.0.1
- port number is 8008
- context for admin is slc.digitalair
- password is novell.

Given this information, what is the appropriate syntax to login from the eMBox client?

- A. login 10.0.0.1:8008; admin.slc.digitalair.novell:
- B. login admin.slc.digitalair:novell 10.0.0.1:8008
- C. login 10.0.0.1:8008 admin.slc.digitalair novell
- D. login 10.0.0.1:8008 -u admin.slc.digitalair -w novell -n
- E. login -s 10.0.0.1 -p 8008 -u admin.slc.digitalair -w novell -n

Answer: E

QUESTION 6:

Your eDirectory tree doesn't change often. On average, about once every three months partition changes are made as servers are added to the tree. There are very few additions, deletions or modifications of objects. In general, how often should you perform a health check on this tree?

- A. Once a week
- B. Once a month
- C. Once every three months
- D. Only when partition changes are made
- E. When objects have been added or deleted

Answer: A

QUESTION 7:

If a Directory System Agent cannot fulfill a request of a Directory User Agent, which X.500 directory component passes the information to another Directory System Agent?

- A. The Directory Access Protocol
- B. The Directory System Protocol
- C. The Directory Information Tree
- D. The Directory Information Database
- E. The Directory Information Shadowing Protocol

Answer: B

QUESTION 8:

Which X.500 Directory component replicates information from one Directory Information Database to another?

- A. The Directory System Agent
- B. The Directory System Protocol
- C. The Directory Access Protocol
- D. The Directory Information Tree
- E. The Directory Information Shadow Protocol

Answer: E

QUESTION 9:

Which are true statements when using the eDirectory Backup eMTool to back up and restore Novell eDirectory 8.7? (Choose two.)

OfficialCerts.com Certification Exam Full Version Features;

- Verified answers researched by industry experts.
- Exams **updated** on regular basis.
- Questions, Answers are downloadable in **PDF** format.
- **No authorization** code required to open exam.
- **Portable** anywhere.
- 100% success **Guarantee**.
- **Fast**, helpful support 24x7.

View list of All exams we offer;

<http://www.officialcerts.com/allexams.asp>

To contact our Support;

<http://www.officialcerts.com/support.asp>

View FAQs

<http://www.officialcerts.com/faq.asp>

Download All Exams Samples

<http://www.officialcerts.com/samples.asp>

To purchase Full Version and updated exam;

<http://www.officialcerts.com/allexams.asp>



Shop now using **PayPal**



| | | | | | | |
|------------|--------------------|------------------|---------|------------------|--------------|-----------|
| 3COM | CompTIA | Filemaker | IBM | LPI | OMG | Sun |
| ADOBE | ComputerAssociates | Fortinet | IISFA | McAfee | Oracle | Sybase |
| APC | CWNP | Foundry | Intel | McData | PMI | Symantec |
| Apple | DELL | Fujitsu | ISACA | Microsoft | Polycom | TeraData |
| BEA | ECCouncil | GuidanceSoftware | ISC2 | Mile2 | RedHat | TIA |
| BICSI | EMC | HDI | ISEB | NetworkAppliance | Sair | Tibco |
| CheckPoint | Enterasys | Hitachi | ISM | Network-General | SASInstitute | TruSecure |
| Cisco | ExamExpress | HP | Juniper | Nokia | SCP | Veritas |
| Citrix | Exin | Huawei | Legato | Nortel | See-Beyond | Vmware |
| CIW | ExtremeNetworks | Hyperion | Lotus | Novell | Google | |

You have made the
Right Choice

You are becoming member of most comprehensive, accurate, highest quality and lowest cost certification resource in the world.

